

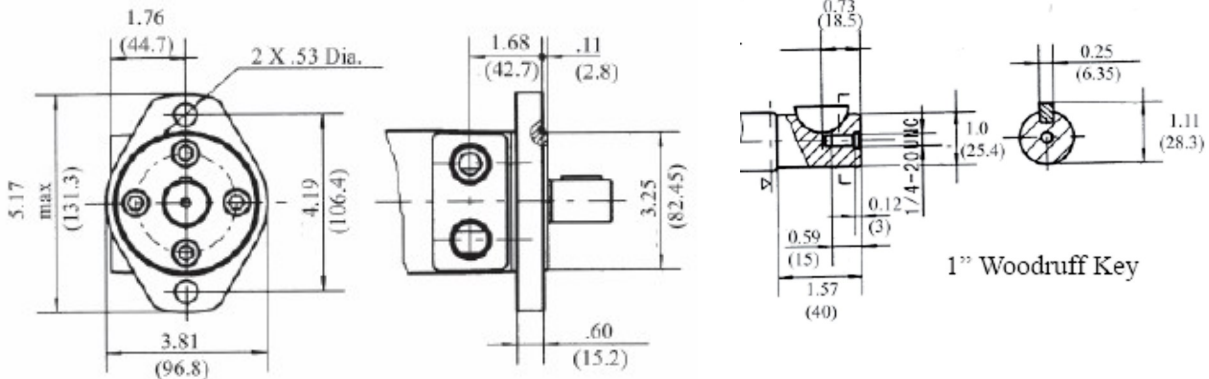
L		L1		PORT SIZES	
inches	mm	inches	mm	P(A,B)	1/2-14 NPTF
5.55	141	0.28	7	T	SAE 4

Bailey No. 272-210

Displacement cm ³ /Rev (in ³ /Rev)		51.7 (3.15)
Maximum Speed RPM	Cont	880
	Int	975
Max Torque NM / (in.lbs)	Cont	81 (717)
	Int	108 (956)
Max Differential Mpa / (PSI)	Cont	12.5 (1840)
	Int	16.5 (2425)
Max Flow L/min / (gpm)	Cont	45 (11.85)
	Int	50 (13.15)
Weight Kg / (lbs)		5.6 (12.3)

Continuous = maximum of continuous operation

Intermittent = maximum operating range for 6 seconds per minute



BMP/BMPH 50		51.7 Cm ³ /Rev 3.15 in ³ /Rev						Max Cont.	Max Int.	
Pressure Mpa (psi)		3 (440)	6 (880)	7 (1030)	8 (1175)	10 (1470)	11 (1620)	12.5 (1840)	16.5 (2429)	
F L O W	LPM (GPM)	Torque Mn (in.Lbs) Speed Specification								
	8 (2.10)	17 (150)	38 (336)	44 (390)	50 (443)	63 (558)	70 (620)	79 (700)	104 (920)	
		154 rpm	149 rpm	144 rpm	141 rpm	135 rpm	129 rpm	123 rpm	92 rpm	
	15 (3.95)	19 (168)	38 (336)	44 (389)	50 (443)	64 (566)	71 (628)	80 (708)	105 (930)	
		292 rpm	286 rpm	238 rpm	277 rpm	273 rpm	267 rpm	262 rpm	231 rpm	
	20 (5.25)	17 (150)	38 (336)	44 (389)	51 (451)	64 (566)	71 (628)	80 (708)	107 (947)	
		390 rpm	385 rpm	328 rpm	326 rpm	374 rpm	367 rpm	360 rpm	332 rpm	
	30 (7.90)	16 (142)	37 (328)	44 (389)	50 (443)	64 (566)	71 (628)	80 (708)	108 (956)	
		586 rpm	579 rpm	572 rpm	568 rpm	562 rpm	556 rpm	546 rpm	516 rpm	
	35 (9.20)	15 (134)	36 (320)	43 (320)	50 (443)	63 (558)	71 (628)	80 (708)	107 (947)	
683 rpm		675 rpm	670 rpm	663 rpm	656 rpm	647 rpm	641 rpm	614 rpm		
Max Cont.	45 (11.90)	14 (126)	34 (304)	42 (374)	49 (435)	63 (558)	70 (620)	80 (708)	107 (947)	
		879 rpm	868 rpm	862 rpm	855 rpm	849 rpm	840 rpm	833 rpm	799 rpm	
Max Int.	50 (13.20)	13 (118)	33 (296)	41 (368)	48 (427)	62 (550)	68 (605)	79 (700)		
		975 rpm	962 rpm	955 rpm	949 rpm	943 rpm	937 rpm	927 rpm		