

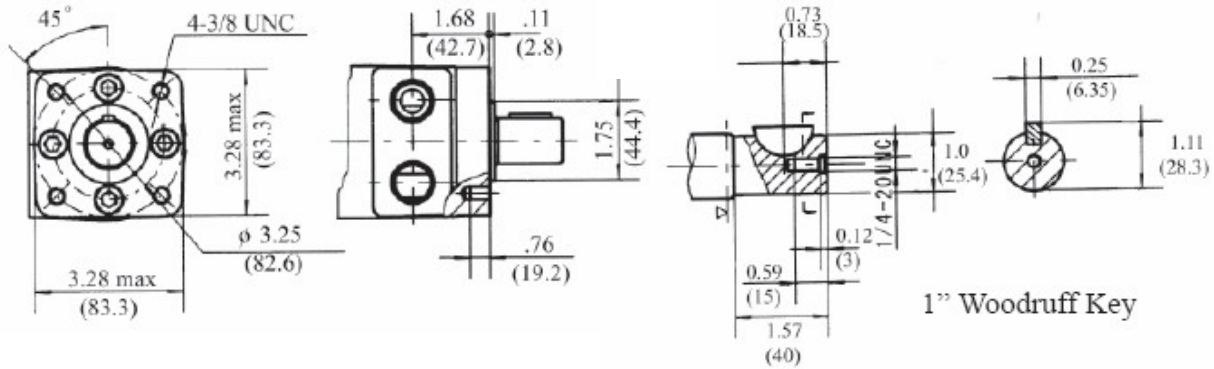
| L | | L1 | | PORT SIZES | |
|--------|-----|--------|----|------------|--------|
| inches | mm | inches | mm | P(A,B) | SAE 10 |
| 5.55 | 141 | 0.28 | 7 | T | SAE 4 |

Bailey No. 272-215

| | | |
|---|------|----------------|
| Displacement cm ³ /Rev (in ³ /Rev) | | 51.7 (3.15) |
| Maximum Speed RPM | Cont | 880 |
| | Int | 975 |
| Max Torque NM / (in.lbs) | Cont | 81 (717) |
| | Int | 108 (956) |
| Max Differential Mpa / (PSI) | Cont | 12.5 (1840) |
| | Int | 16.5 (2425) |
| Max Flow L/min / (gpm) | Cont | 45 (11.85) |
| | Int | 50 (13.15) |
| Weight Kg / (lbs) | | 5.6 (12.3) |

Continuous = maximum of continuous operation

Intermittent = maximum operating range for 6 seconds per minute



| BMP/BMPH 50 | | 51.7 Cm ³ /Rev 3.15 in ³ /Rev | | | | | | Max Cont. | Max Int. |
|--------------------|------------|--|----------|----------|----------|-----------|-----------|-------------|-------------|
| Pressure Mpa (psi) | | 3 (440) | 6 (880) | 7 (1030) | 8 (1175) | 10 (1470) | 11 (1620) | 12.5 (1840) | 16.5 (2429) |
| F L O W | LPM (GPM) | Torque Mn (in.Lbs) Speed Specification | | | | | | | |
| | 8 (2.10) | 17 (150) | 38 (336) | 44 (390) | 50 (443) | 63 (558) | 70 (620) | 79 (700) | 104 (920) |
| | | 154 rpm | 149 rpm | 144 rpm | 141 rpm | 135 rpm | 129 rpm | 123 rpm | 92 rpm |
| | 15 (3.95) | 19 (168) | 38 (336) | 44 (389) | 50 (443) | 64 (566) | 71 (628) | 80 (708) | 105 (930) |
| | | 292 rpm | 286 rpm | 238 rpm | 277 rpm | 273 rpm | 267 rpm | 262 rpm | 231 rpm |
| | 20 (5.25) | 17 (150) | 38 (336) | 44 (389) | 51 (451) | 64 (566) | 71 (628) | 80 (708) | 107 (947) |
| | | 390 rpm | 385 rpm | 328 rpm | 326 rpm | 374 rpm | 367 rpm | 360 rpm | 332 rpm |
| | 30 (7.90) | 16 (142) | 37 (328) | 44 (389) | 50 (443) | 64 (566) | 71 (628) | 80 (708) | 108 (956) |
| | | 586 rpm | 579 rpm | 572 rpm | 568 rpm | 562 rpm | 556 rpm | 546 rpm | 516 rpm |
| | 35 (9.20) | 15 (134) | 36 (320) | 43 (320) | 50 (443) | 63 (558) | 71 (628) | 80 (708) | 107 (947) |
| | 683 rpm | 675 rpm | 670 rpm | 663 rpm | 656 rpm | 647 rpm | 641 rpm | 614 rpm | |
| Max Cont. | 45 (11.90) | 14 (126) | 34 (304) | 42 (374) | 49 (435) | 63 (558) | 70 (620) | 80 (708) | 107 (947) |
| | | 879 rpm | 868 rpm | 862 rpm | 855 rpm | 849 rpm | 840 rpm | 833 rpm | 799 rpm |
| Max Int. | 50 (13.20) | 13 (118) | 33 (296) | 41 (368) | 48 (427) | 62 (550) | 68 (605) | 79 (700) | |
| | | 975 rpm | 962 rpm | 955 rpm | 949 rpm | 943 rpm | 937 rpm | 927 rpm | |