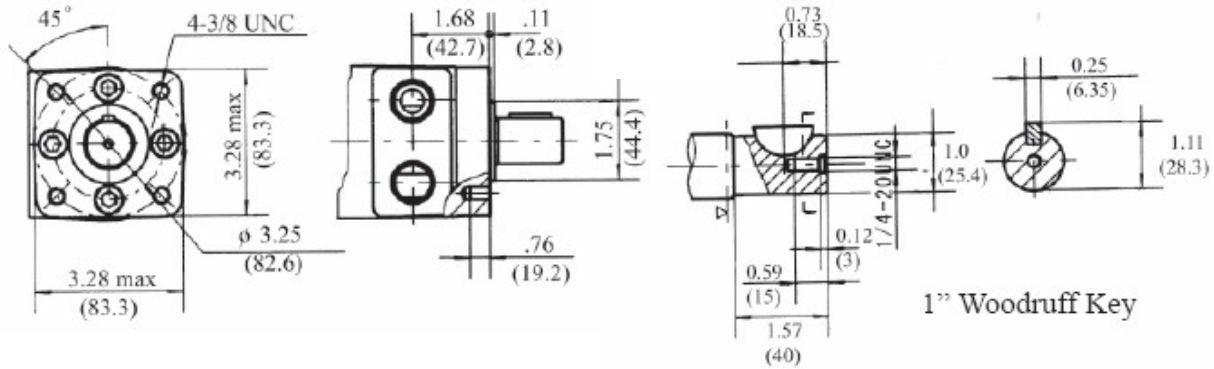


**Model 272-216**

Displacement cm <sup>3</sup> /Rev (in <sup>3</sup> /Rev)		96.2 (5.9)
Maximum Speed RPM	Cont	590
	Int	675
Max Torque NM / (in.lbs)	Cont	161 (1425)
	Int	213 (1885)
Max Differential Mpa / (PSI)	Cont	12.5 (1840)
	Int	16.5 (2425)
Max Flow L/min / (gpm)	Cont	60 (15.8)
	Int	75 (19.75)
Weight Kg / (lbs)		5.9 (13)

L		L1		PORT SIZES	
inches	mm	inches	mm	P(A,B)	SAE 10
5.79	147	0.51	13	T	SAE 4

Continuous = maximum of continuous operation  
 Intermittent = maximum operating range for 6 seconds per minute



BMP/BMPH 100		96.2 Cm <sup>3</sup> /Rev 5.87 in <sup>3</sup> /Rev						Max Cont.	Max Int.	
Pressure Mpa (psi)		3 (440)	6 (880)	7 (1030)	8 (1175)	10 (1470)	11 (1620)	12.5 (1840)	16.5 (2429)	
F L O W	LPM (GPM)	Torque Mn (in.Lbs) Speed Specification								
	8 (2.10)	36 (319)	75 (664)	88 (779)	101 (984)	126 (1115)	141 (1248)	160 (1460)	210 (1859)	
		78 rpm	75 rpm	73 rpm	70 rpm	67 rpm	63 rpm	56 rpm	34 rpm	
	15 (3.95)	35 (310)	75 (664)	89 (788)	101 (894)	128 (1133)	141 (1248)	160 (1416)	213 (1885)	
		149 rpm	145 rpm	143 rpm	141 rpm	137 rpm	134 rpm	129 rpm	109 rpm	
	20 (5.25)	33 (292)	74 (665)	88 (779)	101 (984)	126 (1115)	140 (1239)	161 (1451)	212 (1876)	
		199 rpm	196 rpm	195 rpm	191 rpm	189 rpm	185 rpm	179 rpm	161 rpm	
	30 (7.90)	31 (274)	72 (637)	85 (752)	98 (867)	123 (1089)	137 (1212)	157 (1389)	213 (1885)	
		299 rpm	296 rpm	293 rpm	291 rpm	288 rpm	284 rpm	280 rpm	259 rpm	
	35 (9.20)	29 (257)	69 (611)	83 (735)	96 (850)	121 (1070)	135 (1195)	155 (1372)	212 (1876)	
		349 rpm	345 rpm	344 rpm	341 rpm	337 rpm	335 rpm	330 rpm	310 rpm	
	45 (11.90)	28 (248)	66 (584)	81 (717)	94 (832)	119 (1053)	133 (1177)	153 (1354)	208 (1841)	
	449 rpm	445 rpm	442 rpm	439 rpm	435 rpm	432 rpm	428 rpm	405 rpm		
50 (13.20)	24 (217)	65 (575)	78 (690)	93 (823)	117 (1035)	132 (1168)	152 (1345)	207 (1832)		
	498 rpm	493 rpm	491 rpm	490 rpm	486 rpm	481 rpm	477 rpm	457 rpm		
Max Cont.	60 (15.85)	23 (204)	63 (558)	77 (681)	92 (814)	116 (1027)	131 (1159)	151 (1336)	207 (1832)	
	598 rpm	593 rpm	589 rpm	587 rpm	583 rpm	578 rpm	573 rpm	549 rpm		
Max Int.	75 (19.75)	20 (117)	57 (504)	74 (655)	88 (779)	113 (1000)	129 (1142)	150 (1328)		
		673 rpm	667 rpm	664 rpm	661 rpm	657 rpm	654 rpm	648 rpm		