

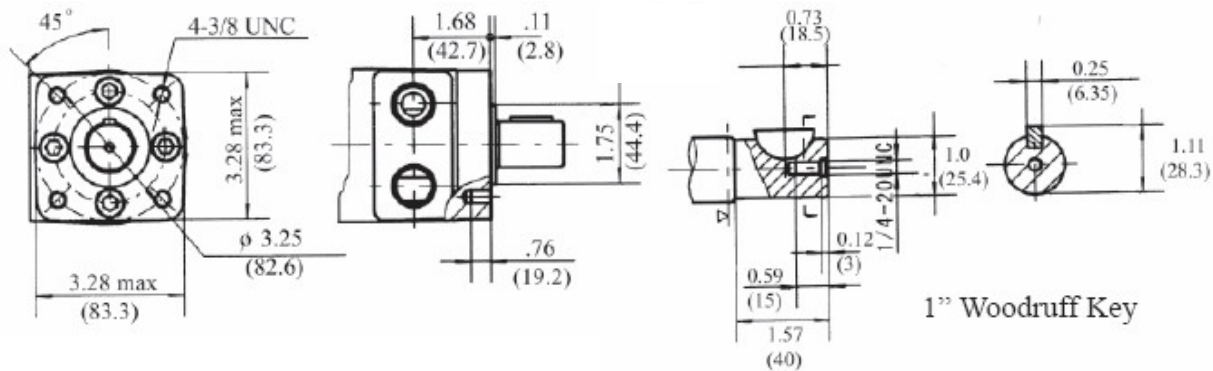
L		L1		PORT SIZES	
inches	mm	inches	mm	P(A,B)	T
5.90	150	.63	16	1/2-14 NPTF	SAE 4

### Bailey No. 272-302

Displacement cm <sup>3</sup> /Rev (in <sup>3</sup> /Rev)		80.6 (4.92)
Maximum Speed RPM	Cont	750
	Int	940
Max Torque NM / (in.lbs)	Cont	190 (1682)
	Int	220 (1947)
Max Differential Mpa / (PSI)	Cont	17.5 (2576)
	Int	20 (2944)
Max Flow L/min / (gpm)	Cont	60 (15.8)
	Int	75 (19.75)
Weight Kg / (lbs)		6.9 (15.2)

Continuous = maximum of continuous operation

Intermittent = maximum operating range for 6 seconds per minute



BMRS 80	80.6 Cm <sup>3</sup> /Rev 4.9 in <sup>3</sup> /Rev						Max Cont.	Max Int.	
Pressure Mpa (psi)	5 (376)	7 (1030)	9 (1352)	10 (1470)	12 (1766)	14 (2060)	16 (2355)	17.5 (2576)	
FLOW	LPM (GPM)	Torque Mn (in.Lbs) Speed Specification							
	10 (2.65)	55 (487)	77 (681)	98 (867)	107 (947)	130 (1151)	149 (1319)	170 (1505)	180 (1593)
	20 (5.25)	115 rpm	109 rpm	106 rpm	101 rpm	91 rpm	75 rpm	53 rpm	45 rpm
		239 rpm	235 rpm	227 rpm	224 rpm	209 rpm	196 rpm	172 rpm	160 rpm
	30 (7.90)	48 (425)	74 (655)	97 (858)	114 (1009)	131 (1159)	150 (1328)	179 (1584)	190 (1682)
		364 rpm	360 rpm	357 rpm	345 rpm	332 rpm	321 rpm	300 rpm	284 rpm
	40 (10.50)	45 (398)	71 (628)	95 (841)	105 (929)	128 (1133)	149 (1319)	177 (1566)	188 (1664)
		488 rpm	483 rpm	475 rpm	472 rpm	460 rpm	447 rpm	420 rpm	408 rpm
	50 (13.15)	42 (372)	70 (620)	90 (797)	98 (867)	125 (1106)	147 (1301)	171 (1513)	187 (1655)
		619 rpm	615 rpm	607 rpm	598 rpm	593 rpm	568 rpm	547 rpm	535 rpm
60 (15.80)	38 (336)	63 (558)	85 (752)	95 (841)	118 (1044)	142 (1257)	169 (1496)	185 (1637)	
	740 rpm	725 rpm	721 rpm	715 rpm	707 rpm	688 rpm	667 rpm	657 rpm	
Max Cont.	70 (18.40)	36 (319)	58 (513)	80 (708)	89 (788)	112 (991)	139 (1230)	164 (1451)	179 (1584)
	860 rpm	853 rpm	839 rpm	837 rpm	823 rpm	811 rpm	790 rpm	776 rpm	
Max Int.	75 (19.75)	29 (257)	56 (496)	77 (681)	85 (752)	110 (974)	133 (1177)	161 (1425)	177 (1566)
	925 rpm	915 rpm	910 rpm	899 rpm	888 rpm	871 rpm	853 rpm	837 rpm	